



—Photoimageable—  
Coverlay **“RT series”**

**Example of use**

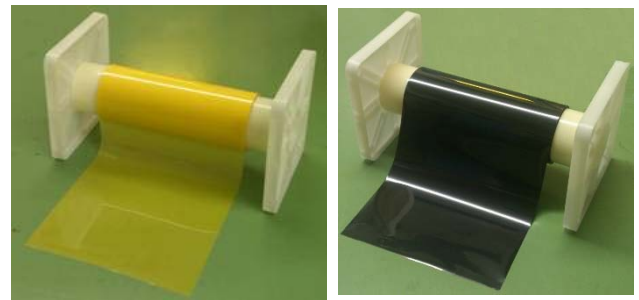
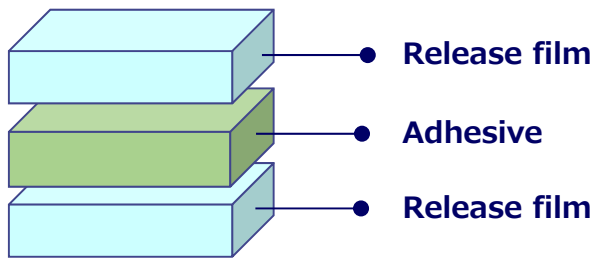
- Smartphone
- Laptop computer
- LCD



**Characteristics**

- Dry film type solder resist with fine resolution (100µm<).
- Excellent flexibility which can achieve good folding property.
- Low repulsion, good usability in assembly process.

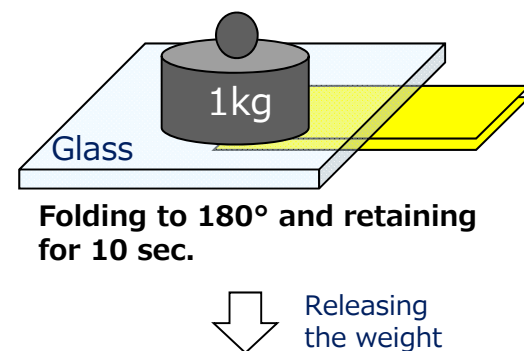
**Product structure**



**Product Properties**

Item		Unit	RTC	RTD
Colour		-	Yellow	Black
Gloss	60°	µm	-	<5
Adhesion (Cross cut)	Cu	-	100/100	100/100
	Polyimide	-	100/100	100/100
Folding resistance	R=0	times	5<	5<
HHBT	L/S=20/20 85°C/85%/50V	-	1,000hr	1,000hr
Physical properties	Tg	°C	60	72
	Elastic modulus	GPa	0.8	1.1
	Breaking strength	MPa	19	23
	Elongation	%	66	51

**<Repulsion>**



Keeping its folded shape.